

- ① 12 V Battery, Left-hand drive    ② 12 V Battery, Right-hand drive    ③ High-voltage battery    ④ High-voltage disconnect device
- ⑤ High-voltage charge socket

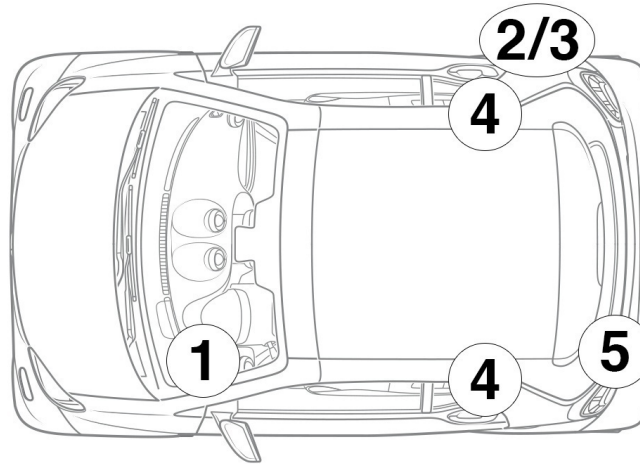
Legend

- Airbag
- Gas generator
- Seat belt tensioner
- Body reinforcement
- Restraint systems control unit
- 12 V Battery
- High-voltage battery
- High-voltage components
- High-voltage disconnect device

Note

Further information is available in our [Guidelines for Car Rescue Crews](#).

## Vehicle identification



① High-voltage battery state of charge (SOC) and power flow display device



② HV charge socket ECE



③ HV charge socket USA/Canada



④ Left/right B-pillar

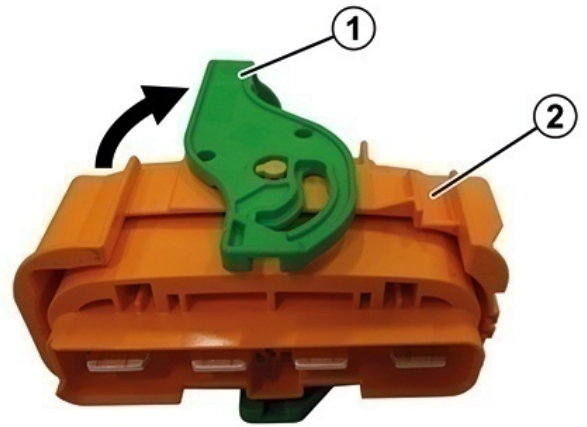
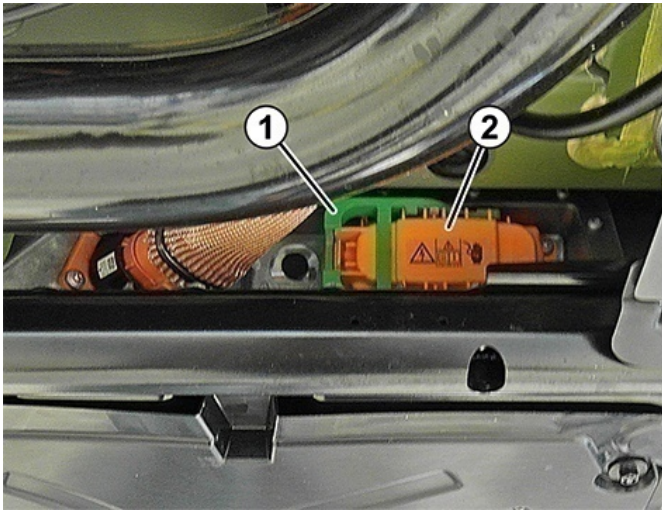


⑤ Left of liftgate



## High-voltage disconnect device

The high-voltage disconnect device is located on the underside of the high-voltage battery on the right at the rear.



Open lock (1) on connector (2) / Unplug connector (2) from high-voltage battery