

- ① 12 V Battery, Left-hand drive ② 12 V Battery, Right-hand drive ③ High-voltage battery ④ High-voltage disconnect device
- ⑤ High-voltage charge socket

Legend

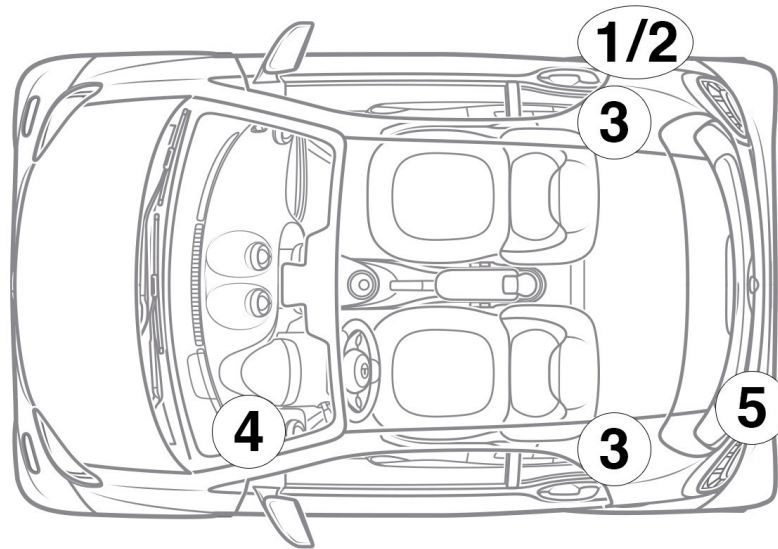
- | | | | |
|--------------------------------|---------------|----------------------|-------------------------|
| Airbag | Gas generator | Seat belt tensioner | Gas-filled strut |
| Restraint systems control unit | 12 V Battery | High-voltage battery | High-voltage components |
| High-voltage disconnect device | | | |

Note

Further information is available in our [Guidelines for Car Rescue Crews](#).



Vehicle identification



① HV charge socket ECE



② HV charge socket USA/Canada



③ Left/right B-pillar



④ High-voltage battery state of charge (SOC) and power flow display device

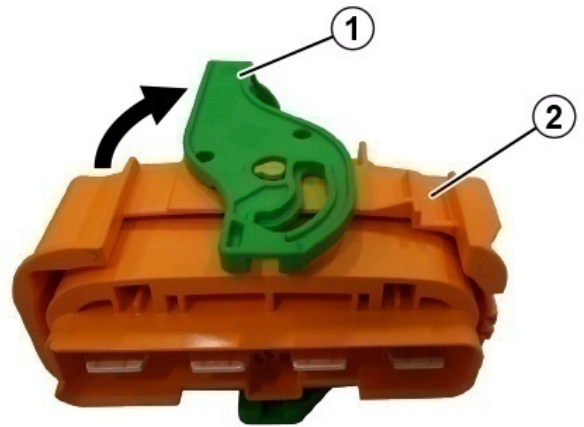
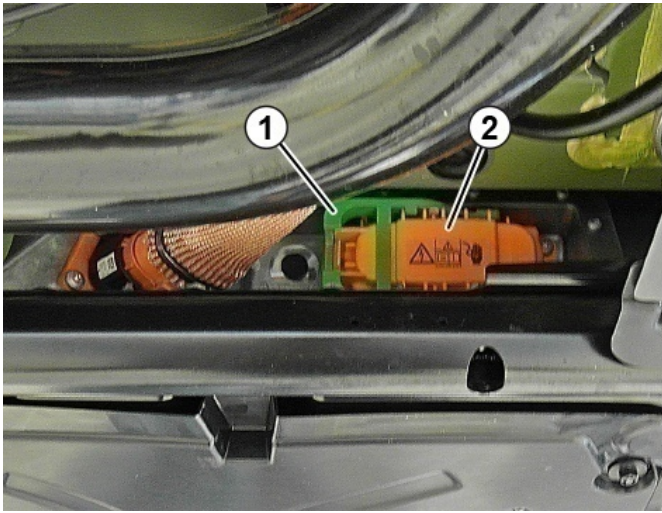


⑤ Left of liftgate



High-voltage disconnect device

The high-voltage disconnect device is located on the underside of the high-voltage battery on the right at the rear.



Open lock (1) on connector (2) / Unplug connector (2) from high-voltage battery