

- ① 12 V Battery, Left-hand drive    ② 12 V Battery, Right-hand drive    ③ High-voltage battery    ④ High-voltage disconnect device
- ⑤ High-voltage charge socket

### Legend

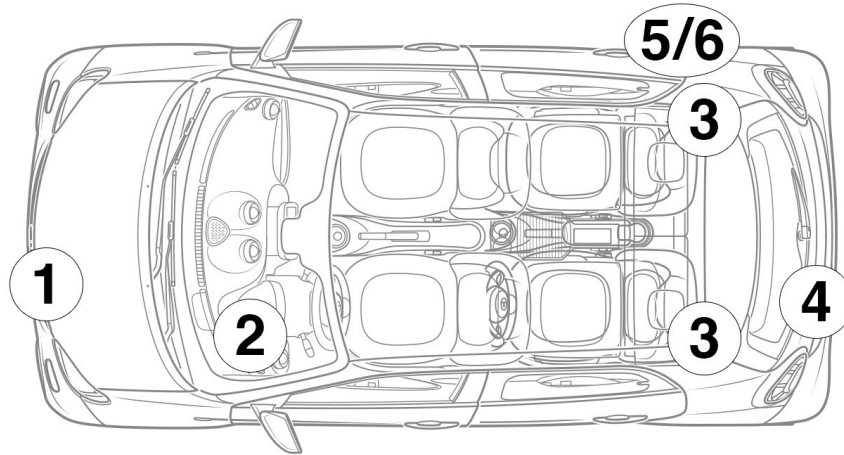
- |                                |               |                      |                         |
|--------------------------------|---------------|----------------------|-------------------------|
| Airbag                         | Gas generator | Seat belt tensioner  | Gas-filled strut        |
| Restraint systems control unit | 12 V Battery  | High-voltage battery | High-voltage components |
| High-voltage disconnect device |               |                      |                         |

### Note

Further information is available in our [Guidelines for Car Rescue Crews](#).



## Vehicle identification



① Left of hood



② High-voltage battery state of charge (SOC) and power flow display device



③ Left/right B-pillar



④ Left of liftgate



⑤ HV charge socket ECE

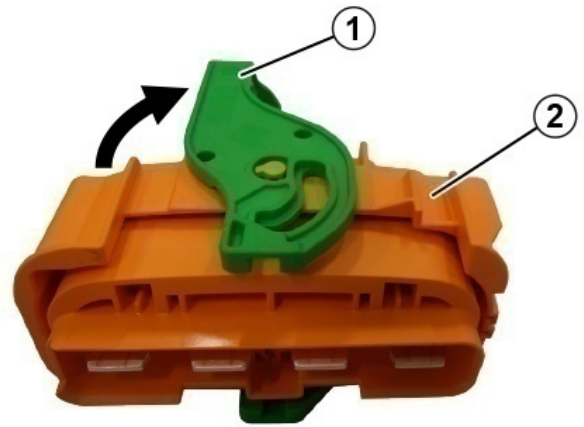
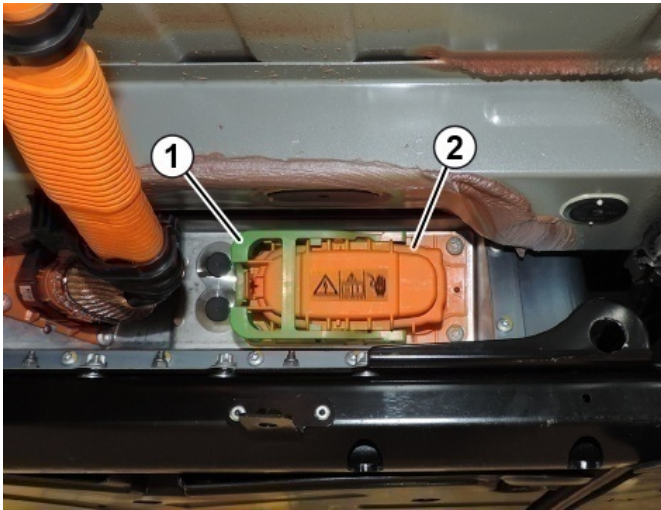


⑥ HV charge socket USA/Canada



## High-voltage disconnect device

The high-voltage disconnect device is located on the underside of the high-voltage battery on the right at the rear.



Open lock (1) on connector (2) / Unplug connector (2) from high-voltage battery