

① Battery 12 V

② High-voltage battery

③ High-voltage disconnect device

④ Windowbag (USA only)

Legend

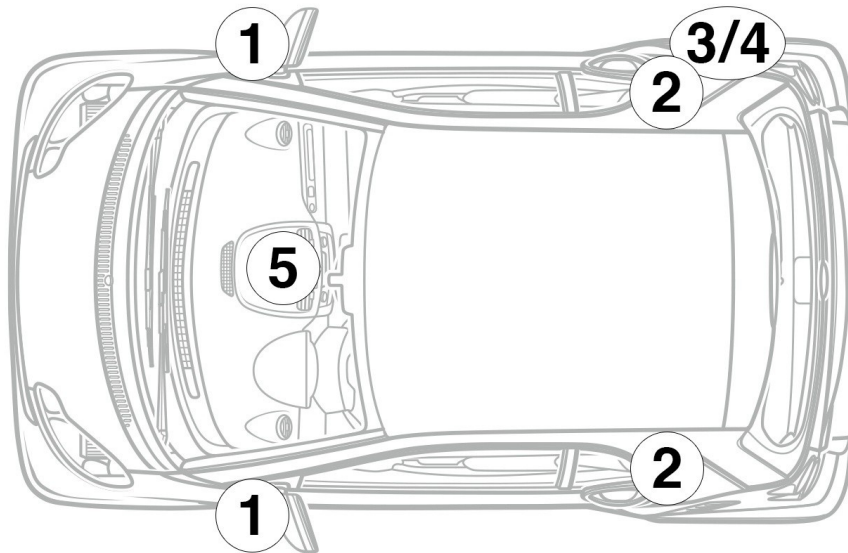
- | | | | |
|-------------------------|--------------------------------|---------------------|----------------------|
| Airbag | Gas generator | Seat belt tensioner | Gas-filled strut |
| Body reinforcement | Restraint systems control unit | 12 V Battery | High-voltage battery |
| High-voltage components | | | |

Note

Further information is available in our [Guidelines for Car Rescue Crews](#).



Vehicle identification



① Left/right A-pillar



② Left/right B-pillar



③ HV charge socket ECE



④ HV charge socket USA/Canada

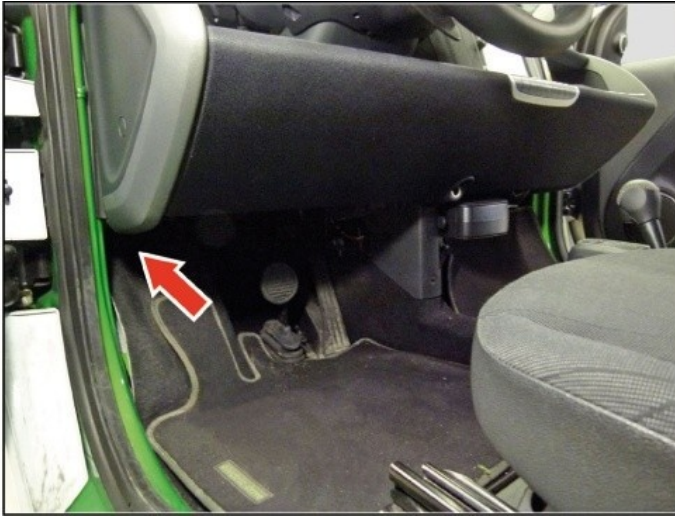


⑤ High-voltage battery state of charge (SOC) and power flow display device



High-voltage disconnect device

The high-voltage disconnect device is located on the underside of the instrument panel on the left side.



Pull connector (1) out of bracket