

① Battery 12 V

② High-voltage battery

③ High-voltage disconnect device

### Legend

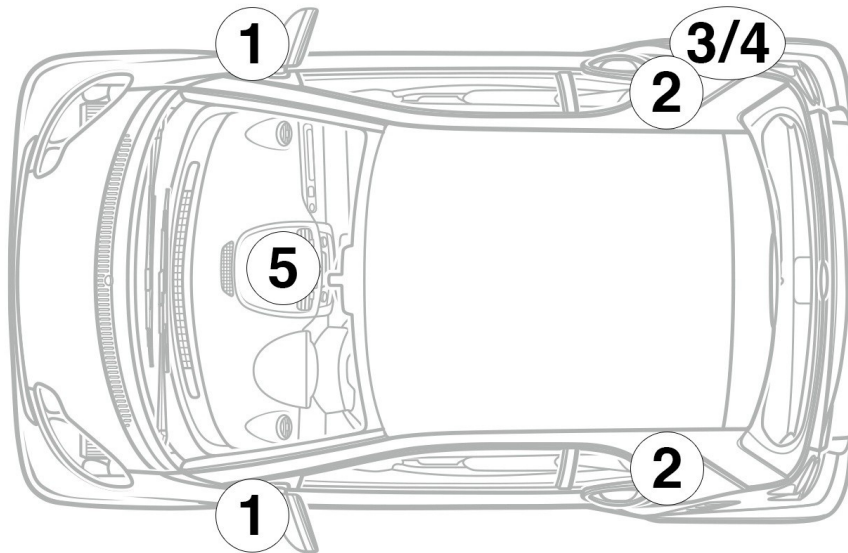
- |              |                      |                         |                                |
|--------------|----------------------|-------------------------|--------------------------------|
| Airbag       | Seat belt tensioner  | Body reinforcement      | Restraint systems control unit |
| 12 V Battery | High-voltage battery | High-voltage components | High-voltage disconnect device |

### Note

Further information is available in our [Guidelines for Car Rescue Crews](#).



## Vehicle identification



① Left/right B-pillar



② Left/right A-pillar



③ HV charge socket ECE



④ HV charge socket USA/Canada

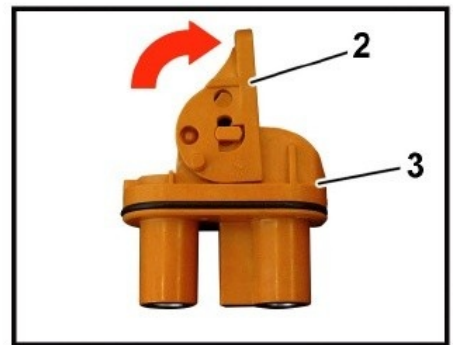
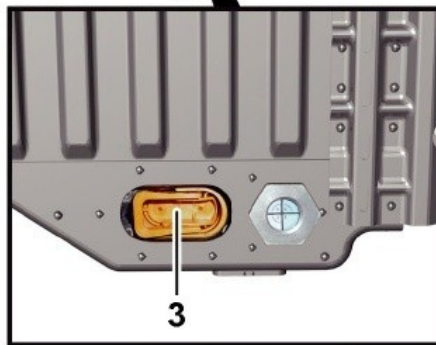
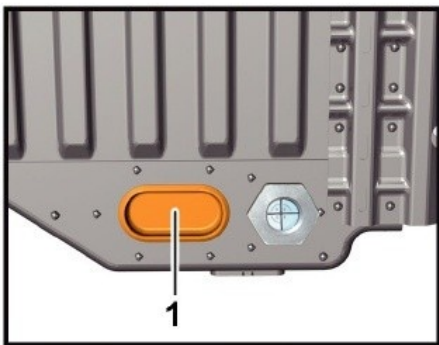


⑤ High-voltage battery state of charge (SOC) and power flow display device



## High-voltage disconnect device

The high-voltage disconnect device is located on the underside of the high-voltage battery on the left at the rear.



Remove cover (1) / Open lock (2) on connector (3) / Unplug connector (3) from high-voltage battery