

① Battery 12 V

② High-voltage battery

③ High-voltage disconnect device

### Legend

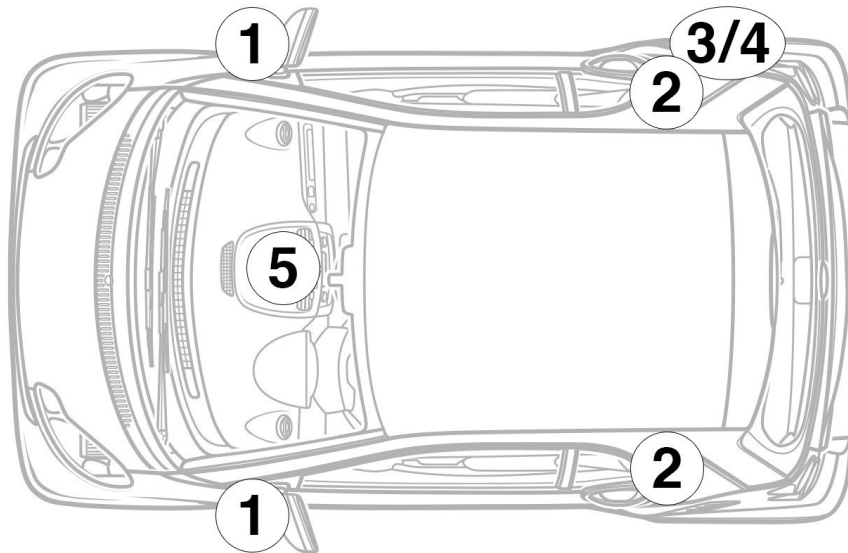
- |                                |                     |                      |                         |
|--------------------------------|---------------------|----------------------|-------------------------|
| Airbag                         | Seat belt tensioner | Gas-filled strut     | Body reinforcement      |
| Restraint systems control unit | 12 V Battery        | High-voltage battery | High-voltage components |
| High-voltage disconnect device |                     |                      |                         |

### Note

Further information is available in our [Guidelines for Car Rescue Crews](#).



## Vehicle identification



① Left/right A-pillar



② Left/right B-pillar



③ HV charge socket ECE



④ HV charge socket USA/Canada

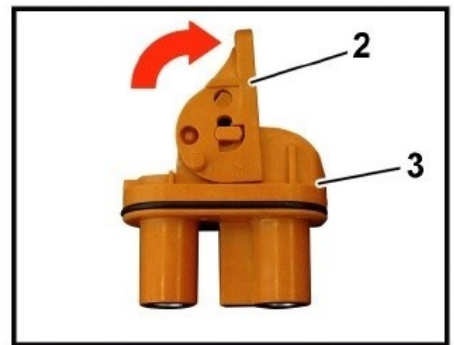
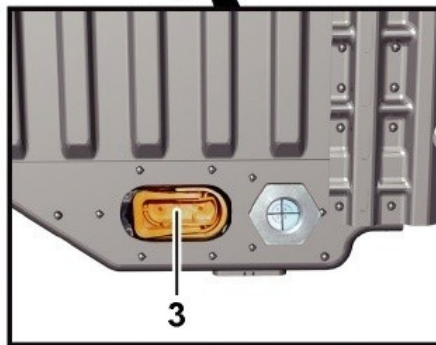
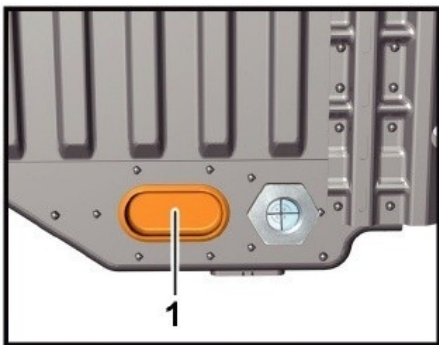


⑤ High-voltage battery state of charge (SOC) and power flow display device



## High-voltage disconnect device

The high-voltage disconnect device is located on the underside of the high-voltage battery on the left at the rear.



Remove cover (1) / Open lock (2) on connector (3) / Unplug connector (3) from high-voltage battery