

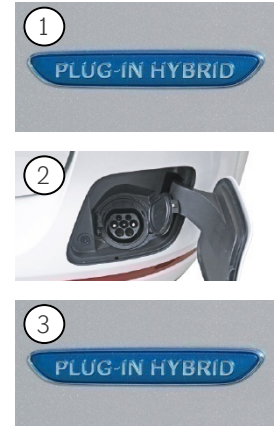
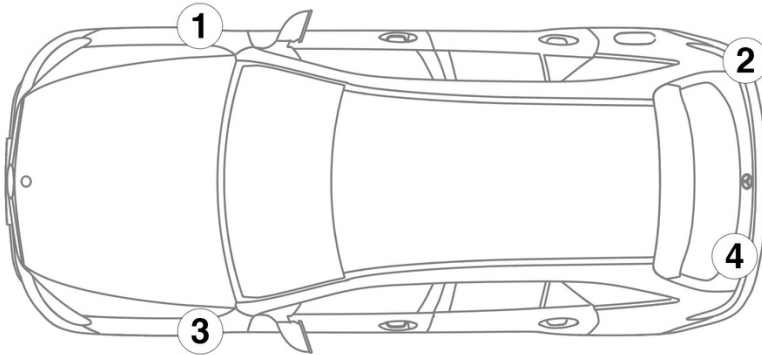
- ① On-board electrical system battery
- ② Additional battery
- ③ High-voltage battery
- ④ High-voltage charge socket
- ⑤ High-voltage disconnect device
- ⑥ Alternative high-voltage disconnect device

 Airbag	 Gas generator	 Seat belt tensioner	 Gas-filled strut	 Fuel tank
 Restraint systems control unit	 12 V Battery	 High-voltage battery	 High-voltage components	 High-voltage disconnect device
 Alternative high-voltage disconnect device				

Note: Please see our [emergency response guide](#) for more information



1. Identification / recognition

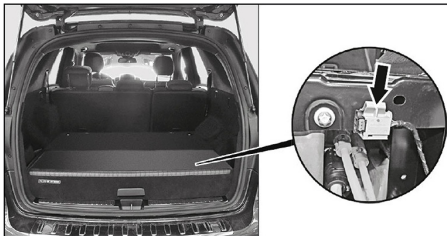


3. Disable direct hazards / safety regulations

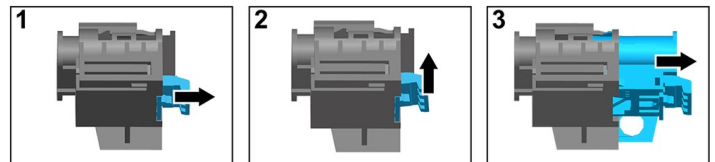
Deactivation of the high-voltage system

In all other cases, the high-voltage system should be deactivated as follows:

Option 1: High-voltage disconnect



The high-voltage disconnect device is located in the trunk under the cover of the high-voltage battery.

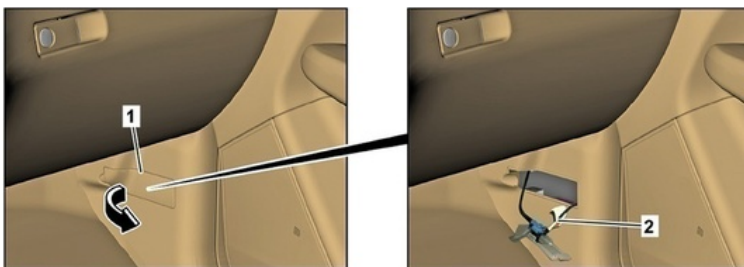


- (1) Pull the release
- (2) Push the release down
- (3) Pull out the switch

Option 2: Alternative high-voltage disconnect



The alternative high-voltage disconnect device is located behind the cover at the bottom of the right A-pillar. It is marked with an information label.



Remove cover (1) of fuse box / Cut line at marked location (2)



In order to ensure that there is no longer any residual voltage in the high-voltage system, wait approx. 20 seconds after switching it off.



The passive safety systems such as airbags and seat belt pretensioners will continue to be supplied with power by the 12-volt electrical system.



Disconnecting the 12 V battery

1. Remove the cover from the 12-volt battery.
2. Disconnect the negative cable of the 12-volt battery at the screw connection and secure it against unintentional contact.