

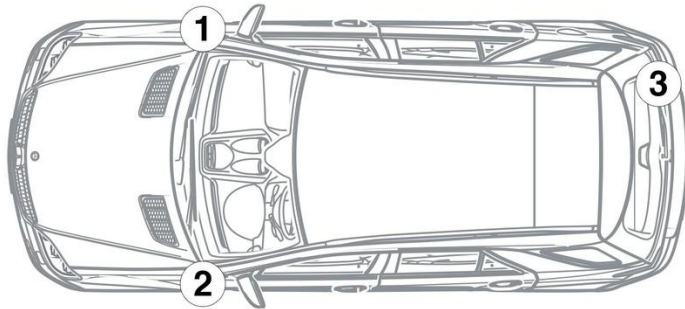
- ① On-board electrical system battery
- ② Additional battery
- ③ High-voltage battery
- ④ High-voltage disconnect device

Airbag	Gas generator	Seat belt tensioner	Gas-filled strut	Body reinforcement
Fuel tank	Restraint systems control unit	12 V Battery	High-voltage battery	High-voltage components
High-voltage disconnect device				

Note: Please see our [emergency response guide](#) for more information



1. Identification / recognition

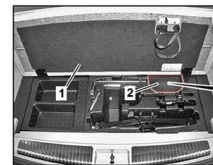


3. Disable direct hazards / safety regulations

Deactivation of the high-voltage system

In all other cases, the high-voltage system should be deactivated as follows:

Option 1: High-voltage disconnect



The high-voltage disconnect device is located on the right at the rear of the high-voltage battery.



Lift load compartment floor (1) / Remove cover (2) / Push switch (3) to the right and pull off high-voltage battery



In order to ensure that there is no longer any residual voltage in the high-voltage system, wait approx. 20 seconds after switching it off.



The passive safety systems such as airbags and seat belt pretensioners will continue to be supplied with power by the 12-volt electrical system.



Disconnecting the 12 V battery

1. Remove the cover from the 12-volt battery.
2. Disconnect the negative cable of the 12-volt battery at the screw connection and secure it against unintentional contact.