


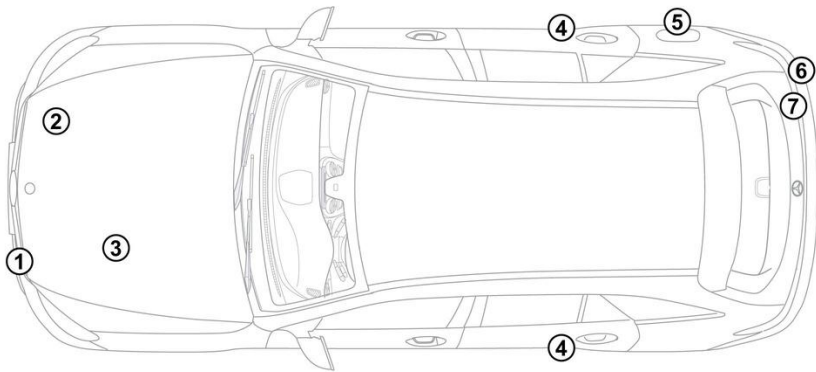
- ① 12 V Battery, Left-hand drive    ② 12 V Battery, Right-hand drive    ③ Hydrogen tank    ④ High-voltage battery
- ⑤ High-voltage battery (Left-hand drive)    ⑥ High-voltage battery (Right-hand drive)    ⑦ Alternative high-voltage disconnect device, left-hand drive    ⑧ Alternative high-voltage disconnect device, right-hand drive
- ⑨ High-voltage charge socket

 Airbag	 Gas generator	 Seat belt tensioner	 Gas-filled strut	 Fuel tank
 Restraint systems control unit	 12 V Battery	 High-voltage battery	 High-voltage components	 High-voltage disconnect device
 Alternative high-voltage disconnect device	 Pedestrian protection			

Note: Please see our [emergency response guide](#) for more information



1. Identification / recognition



3. Disable direct hazards / safety regulations

Deactivation of the high-voltage system

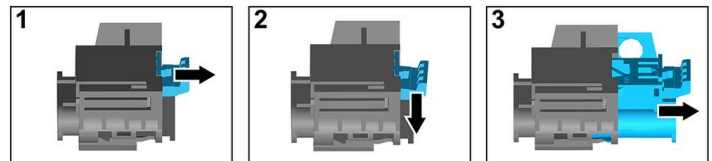
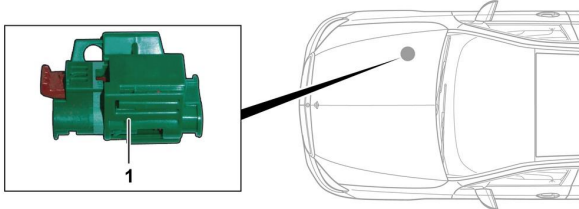


The high-voltage system is automatically switched off in the event of accidents in which the airbags and seat belt pretensioners trigger.



In all other cases, the high-voltage system should be deactivated as follows:

Option 1: High-voltage disconnect



The high-voltage disconnect is located in the engine compartment on the passenger side.

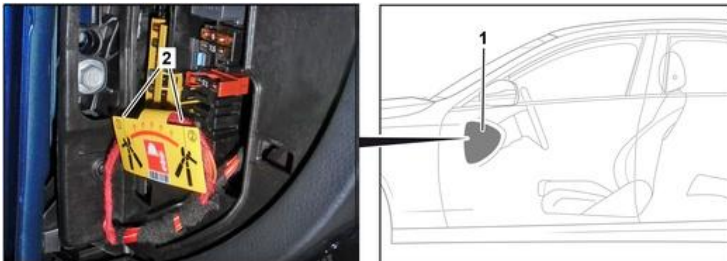


- (1) Pull the release
- (2) Push the release down
- (3) Pull out the switch

Option 2: Alternative high-voltage disconnect



The alternative high-voltage disconnect is located under the cover of the fuse box in the cockpit on the driver's side. It is indicated with a sign.



Remove the cover (1). Cut the cable at the marked point (2).



In order to ensure that there is no longer any residual voltage in the high-voltage system, wait approx. 20 seconds after switching it off.



The passive safety systems such as airbags and seat belt pretensioners will continue to be supplied with power by the 12-volt electrical system.



### Disconnecting the 12 V battery



1. Remove the cover from the 12-volt battery in the engine compartment.
2. Disconnect the negative cable of the 12-volt battery at the screw connection and secure it against unintentional contact.