

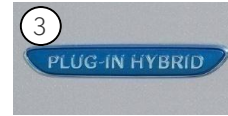
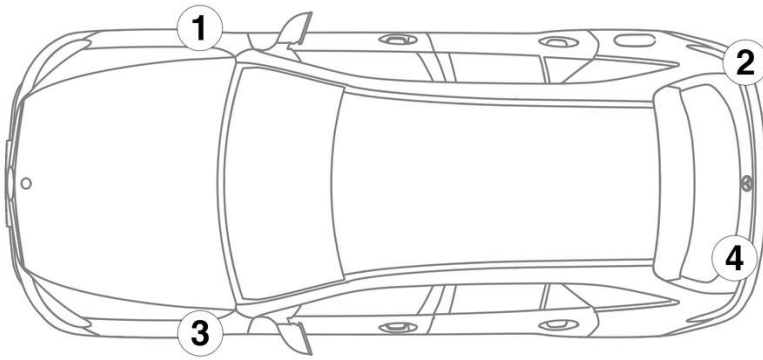
- ① On-board electrical system battery
- ② Additional battery
- ③ High-voltage battery
- ④ High-voltage charge socket
- ⑤ High-voltage disconnect device
- ⑥ Alternative high-voltage disconnect device

Airbag	Gas generator	Seat belt tensioner	Gas-filled strut	Fuel tank
Restraint systems control unit	12 V Battery	High-voltage battery	High-voltage components	High-voltage disconnect device
Alternative high-voltage disconnect device	Pedestrian protection			

Note: Please see our [emergency response guide](#) for more information



### 1. Identification / recognition

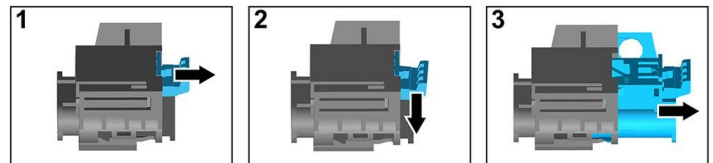
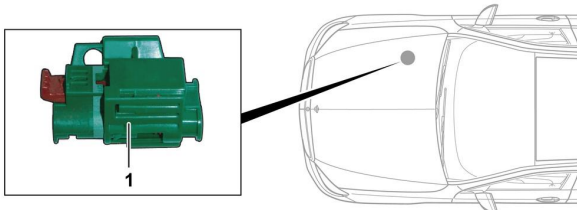


### 3. Disable direct hazards / safety regulations

#### Deactivation of the high-voltage system

In all other cases, the high-voltage system should be deactivated as follows:

#### Option 1: High-voltage disconnect



The high-voltage disconnect is located in the engine compartment on the passenger side.

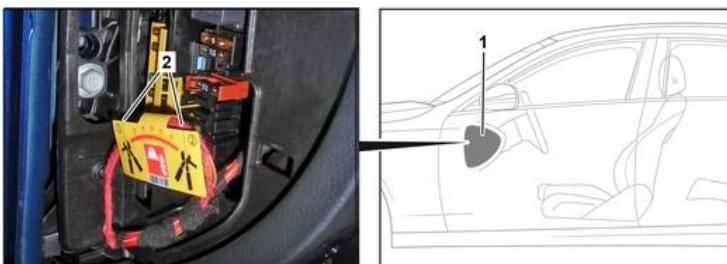


- (1) Pull the release
- (2) Push the release down
- (3) Pull out the switch

#### Option 2: Alternative high-voltage disconnect



The alternative high-voltage disconnect is located under the cover of the fuse box in the cockpit on the driver's side. It is indicated with a sign.



Remove the cover (1). Cut the cable at the marked point (2).



#### Disconnecting the 12 V battery

1. Remove the cover from the 12-volt battery.
2. Disconnect the negative cable of the 12-volt battery at the screw connection and secure it against unintentional contact.