

① Battery 12 V

② High-voltage battery

③ High-voltage disconnect device

Legend

Airbag

Seat belt tensioner

Body reinforcement

Restraint systems control unit

12 V Battery

High-voltage battery

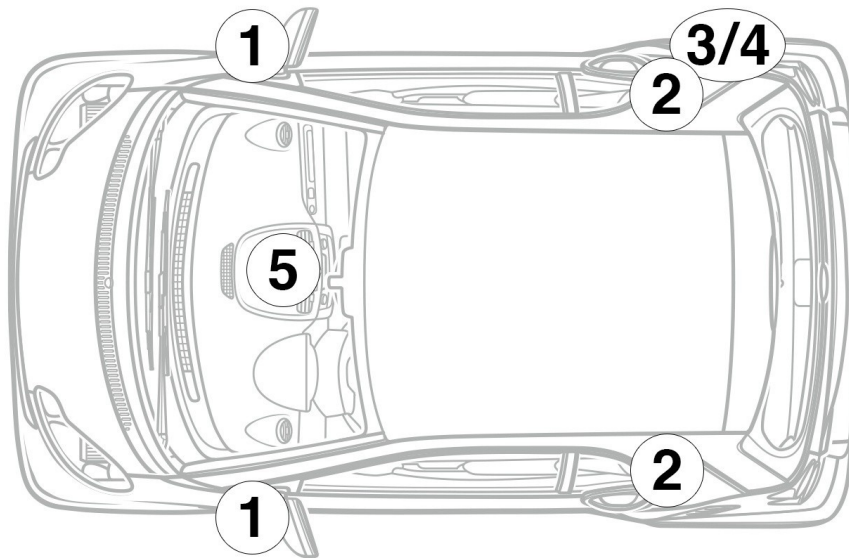
High-voltage components

High-voltage disconnect device

Note

Further information is available in our [Guidelines for Car Rescue Crews](#).

Vehicle identification



① Left/right A-pillar



② Left/right B-pillar



③ HV charge socket ECE



④ HV charge socket USA/Canada

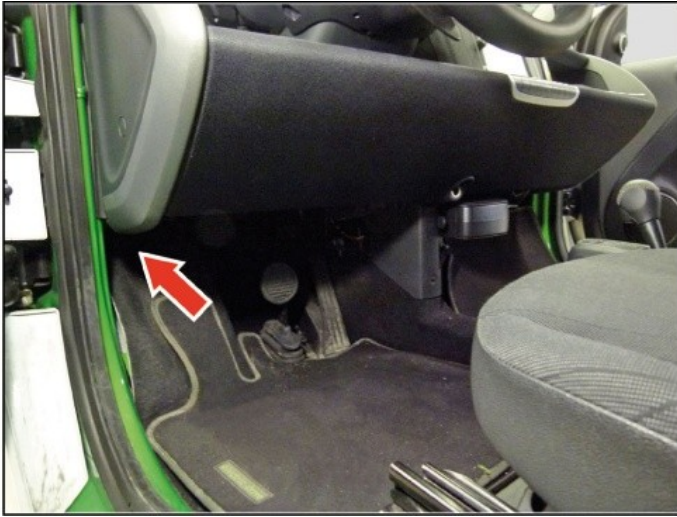


⑤ High-voltage battery state of charge (SOC) and power flow display device



High-voltage disconnect device

The high-voltage disconnect device is located on the underside of the instrument panel on the left side.



Pull connector (1) out of bracket